

550TVL Hi Resolution 50m Colour Infra Red True Day/Night Weatherproof Camera with Cable Managed Bracket



The EZ-550IR-50 is a True day/night camera specifically designed for professional 24-hour surveillance. The Camera features automatic switching between colour and B/W dependant on light levels. The Intelligent CDS sensor means the correct filter is always chosen resulting in the IR effective distance increasing to up to 50m. A specially designed power circuit means the camera can also withstand fluctuations in power without loss of image.

Features

- 1/3" SONY EXVIEW CCD
- POWERFUL NIGHT SENSITIVITY
- 510 TVL (DAY)/550 TVL (NIGHT)
- UP TO 50M IR RANGE
- TRUE DAY/NIGHT CONVERSION
- 0.01 LUX SENSITIVITY
- AUTO IRIS DAY/NIGHT 4~9mm LENS / OPTIONAL 9-22MM
- INTELLIGENT IR COMPENSATION
- 24V DC
- CABLE MANAGED BRACKET
- IP67 WEATHERPROOF
- EXTERNAL FOCUS ADJUSTMENT
- MULTI POSITIONABLE WITH 3-AXIS MECHANISM



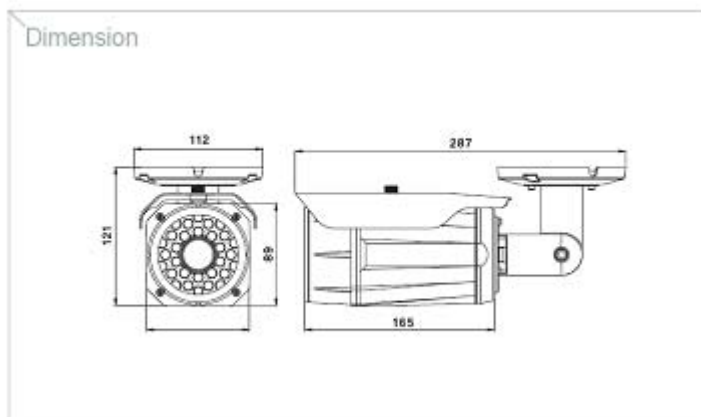
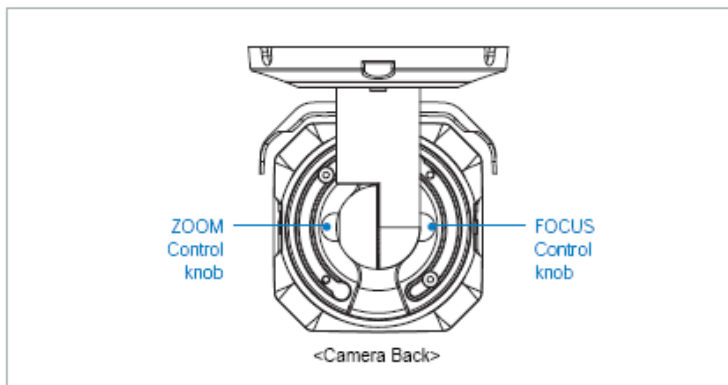
EZ-550IR-50

50m Colour True Day/Night Infra Red Weatherproof Camera



External Zoom Focus Adjustment

External focus adjustment means no reason to open case which could lead to damage.



Intelligent Adaptive Infra Red Illumination



Specification

Model	EZ-550IR-50
CCD Type	1/3" Sony Exview CCD
Pixel Array	PAL 752 (H) x 582 (V)
Horizontal Resolution	510TVL (Day) 550TVL (Night)
IP Rating	IP 67
Minimum Illumination	0.01 Lux @ F1.6 (IR off)
S/N Ratio	More than 50dB (AGC off)
Backlight Compensation	Auto
White Balance	2100'K – 9100'K auto
Day / Night	Yes, True Day/Night
Lens Mount	4mm~9mm Vari Focal Auto Iris STD (9mm-22mm OPT)
Power Source	24V DC
Power Consumption	120mA @ 24V DC (IR Off) / 550mA @ 24V DC (IR On)
Operating Temperature	-10 to 50 Degrees C
IR Beam Spread	30 degrees
Dimension	112(W) x 121(V) x 287(L)
Weight	900g