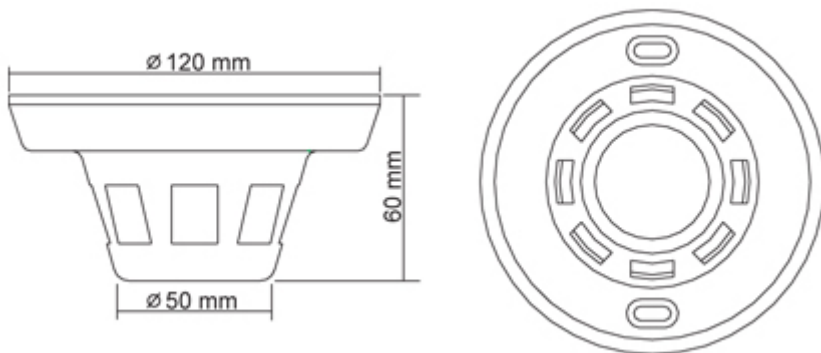


470 TVL Colour Covert Smoke Detector  
style Camera



Dimensions



Features

- 1/3" SONY SUPER HAD CCD SENSOR
- LOW 0.4LUX
- 470 TVL RESOLUTION
- COVERT STYLE SMOKE DETECTOR
- AUTO GAIN CONTROL

Specification

Model	YK-2615
CCD Type	Sony 1/3" Super HAD
Pixel Array	PAL 752 (H) x 582 (V)
Horizontal Resolution	470 TVL
Minimum Illumination	0.4 Lux
Backlight Compensation	N/A
White Balance	Auto
Lens Mount	3.7 mm fixed
Power Source	12V
Power Consumption	300mA
Operating Temperature	-10 to 50 Degrees C
Dimension	120mm (W) x 60 mm (H)